

**ASSEMBLY INSTRUCTIONS
PFEIFFER LAZY JACK SYSTEM I**



ASSEMBLY INSTRUCTIONS PFEIFFER LAZY JACK SYSTEM I

Dear customer,

thank you very much for your purchase of one of our Pfeiffer Marine products!

Your dealer or shipyard will surely install the system professionally for you. If you are a skilled skipper and wish to install the unit yourself, the following installation and operating instructions will help you to install the unit and use it for the first time. Therefore, please read these assembly and operating instructions completely first and act according to our recommendations in order to be able to ensure optimum functionality. If you have any technical queries, please contact the dealer from whom you purchased the product or we as the manufacturer will be happy to answer them ourselves.

I. COMPLETENESS CHECK

The purchased Lazy-Jack System I for sailboats up to approx. 30 feet with Pfeiffer order number 76.880.01 includes the following parts included in the set as standard:

Two single blocks, ten eyebolts, two ropes of 4 metres each, two ropes of 7 metres each with single block fixed at the end with RopeClamp, two ropes of 18 metres each with single block fixed at the end with RopeClamp, two mast cleats and associated fixing set with screws.

In addition, we ask you to have the following tools ready for assembly:

Metre stick, screwdriver (cross-slot, size 2 for Phillips cross-slot type H), centre punch, hammer, drill, twist drill Ø 4 mm for the supplied self-tapping metal-sheet screws Ø 4.8 mm X 25 mm, twist drill Ø 3.2 mm for the supplied self-tapping metal-sheet screws Ø 4.2 mm X 9.5 mm and some oil and a pencil.

IMPORTANT TIP:

To avoid drilling errors, we recommend that you first drill a hole for all parts to be screwed on, then screw the part already in it, align it and then drill the other fixing holes. This way you avoid inaccurate drill holes! The core drill holes for the self-tapping screws can be found in the assembly drawing.

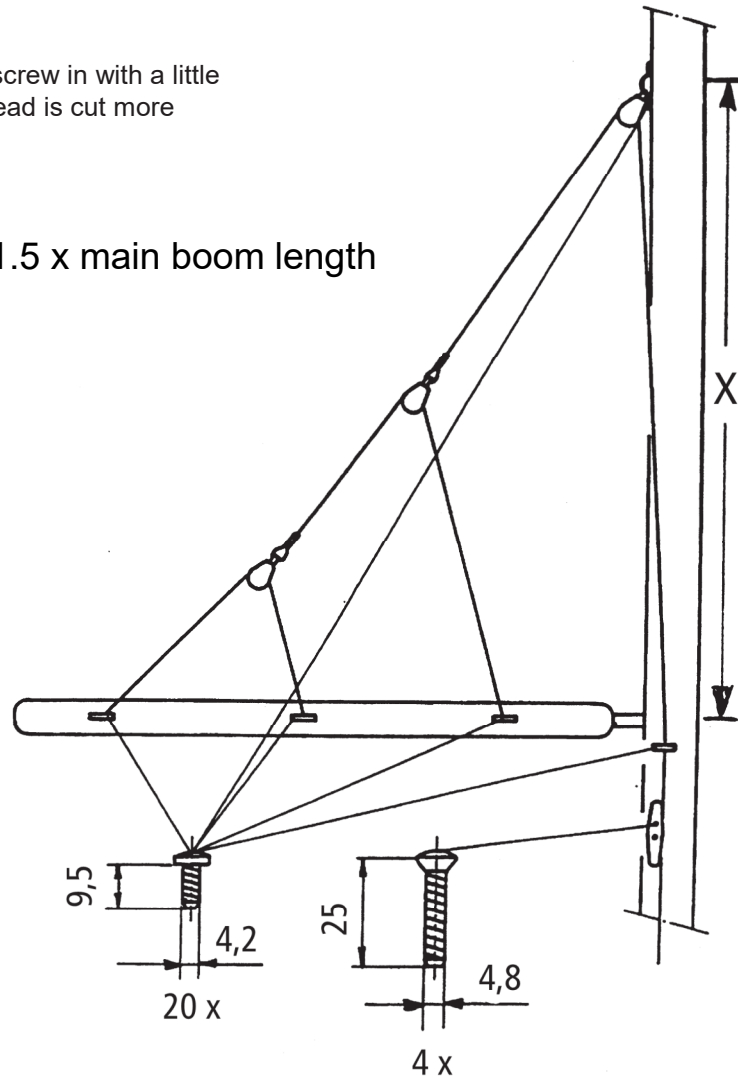
II. INSTALLATION

The illustrated drawings show an exemplary assembly of the lazy-jack-system. We ask you to adhere to this, as this will ensure optimal functionality. In addition, the lengths of the supplied ropes are matched.

Once the optimal points have been found, the eyebolts on the mast and main boom are to be drilled and screwed on (make sure beforehand that there are no pipes with cables in the mast at this point, or that no running ropes are obstructed inside the main boom by the screws!).

Tip: The screws are easier to screw in with a little oil or grease and the thread is cut more cleanly.

Dimension X approx. 1.5 x main boom length



III. FUNCTIONAL TESTING AND HANDLING

The lazy-jack-system is designed to help you lower (recover) the mainsail in a controlled manner. For this purpose, it falls into the pocket formed by ropes.

When sailing, we recommend that you pre-tie the illustrated rope unit towards the mast.

Always make sure that the lazy-jack-system has sufficient clearance, i.e. that it does not block or constrict a tight haul of the mainsheet or cause breakage during sailing manoeuvres.

IMPORTANT!

Check all fasteners (screws) again for correct tightening!

IV. CONCLUDING REMARKS

We wish you great enjoyment using your new product. If you have any technical questions, please do not hesitate to contact your dealer or us.
Please note that we cannot accept any warranty if the installation is not carried out properly according to our specifications.

We wish you safe sailing and once again we would like to express our thanks for the purchase of one of our products.

Kind regards
Your Pfeiffer Marine Team

P.S.: If you have any suggestions or requests, please let us know!
If you would like our catalogue, you can request it
by calling 07732 - 99500 or faxing 995050.
You can find us at www.pfeiffer-marine.de
or email your requests to: info@pfeiffer-marine.de
